

**NKI50/35-XL**

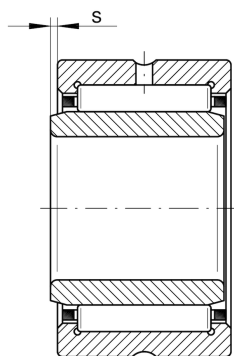
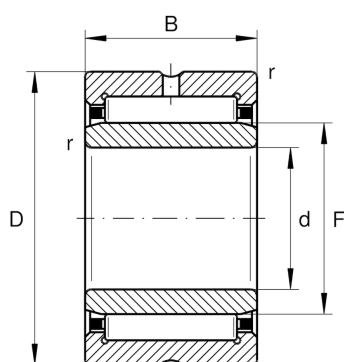
Needle roller bearing

Schaeffler ID:
0507624430000

Needle roller bearings NKI, light series

X-life

Technical information

**Main Dimensions & Performance Data**

d	50 mm	Bore diameter
D	68 mm	Outside diameter
B	35 mm	Width
C_r	60,000 N	Basic dynamic load rating, radial
C_{0r}	118,000 N	Basic static load rating, radial
C_{ur}	21,600 N	Fatigue load limit, radial
n_G	8,400 1/min	Limiting speed
n_{gr}	4,900 1/min	Reference speed
	380 g	Weight

Dimensions

F	55 mm	Raceway diameter inner ring
r_{min}	0.6 mm	Minimum chamfer dimension
s	2 mm	Axial displacement

Temperature range

T_{min}	-30 °C	Operating temperature min.
T_{max}	120 °C	Operating temperature max.